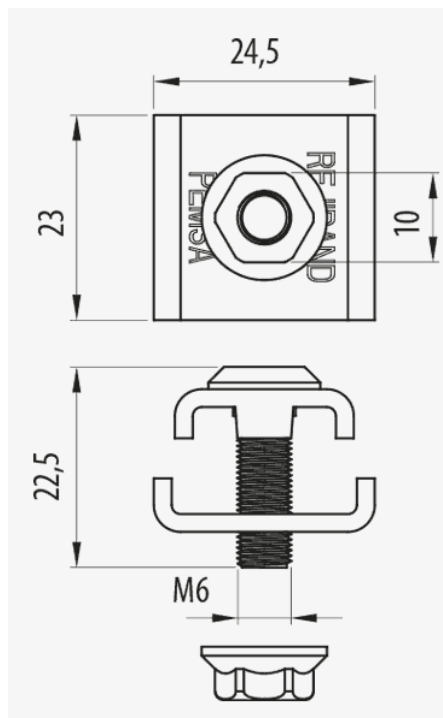
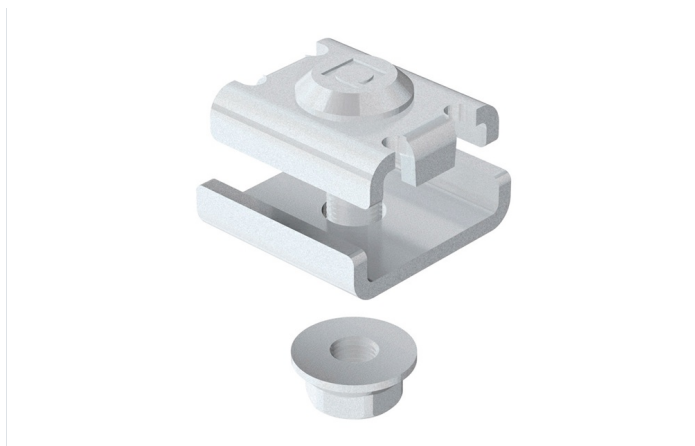


**Reinforced Joint Clamp** ( Ref: 64010061 )



**Description**

Steel piece for the joining of Rejiband trays comprising of a set screw, a joint plate and a nut, made of steel, finished in electrogalvanised EG. Thanks to its construction, it considerably simplifies assembly between sections and ensures the highest mechanical strength of the joint between trays, optimising the maximum possible load values.

**Advantages**

Simplification of the joint assembly between different sections.

Greater mechanical strength of the section joints.

N Mark of Aenor, UL Certificate, Certificate IECC CB according to IEC 61537.

E90 fire resistance (90 minutes, 1000°C) according to DIN 4102-12.

Electrogalvanised finish (standard EN-ISO 2081), silver colour, suitable for indoor installations. Corrosion resistance class 3.

**Applications**

Suitable for the joining of sections of Rejiband trays for electrical and/or telecommunications installations in: Civil Works, Tunnels, Car Parks, Public Buildings, Shopping Centres, Major Infrastructures, Airports, Underground and Railway, Tertiary sector and industrial applications: Naval, Petrochemical, Textile, Chemical and Food.

**Solutions**



**Reinforced Joint Clamp** ( Ref: 64010061 )

**Product data**

|                        |                            |                                       |            |
|------------------------|----------------------------|---------------------------------------|------------|
| <b>Finish</b>          | E.G.                       | <b>Resistance Class</b>               | Class 3    |
| <b>Fire Resistance</b> | E90 (90 min. 1000°C)       | <b>u</b>                              | 50 u       |
| <b>kg/u</b>            | 0.029                      | <b>Working temperature range (°C)</b> | -50°/ 150° |
| <b>Material</b>        | Steel with surface coating |                                       |            |

**Coatings**

**PG/GS** - Pre-Galvanised Finish. Resistance to corrosion according to EN-10346. Adequate for indoor installations.

**EZ** - Electrogalvanized, white, according to EN ISO 2081. Electrolytic zinc protection adequate for indoor installations.

**BC** - Electrogalvanized Bycro, yellow, in compliance with EN ISO 2081. Improved resistance to corrosion, especially adequate for demanding indoor installations.

**GC** - Hot-dipped galvanizing in compliance with EN ISO 1461. Appropriate for outdoor installations and aggressive environments.

**BLACK C8** - High Resistance coating, Black Colour. Neutral Salt Spray Chamber test >1000 h acc. to ISO 9227.

**304 and 316L** stainless steel, in compliance with EN 10088 standard, with passivated Thermicron treatment. Appropriate for outdoor installations and highly aggressive environments.



**Reinforced Joint Clamp** ( Ref: 64010061 )

**Product applications**

□

