

# Britclips® RSWB

Rapid Sliding Wall Bracket

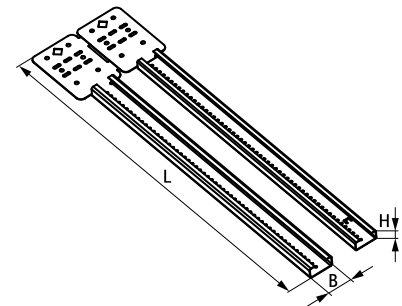
(J 50 175)



## Features and benefits

- extendable bracket for faster mounting of electrical boxes, conduit and pipework
- suitable for use in stud walls and floor joists
- can be fixed to wood or metal joists
- quicker and easier to install than traditional methods
- can be set at multiple depths
- combine with starQuick® clamps or RapidRail® Hammerfix for even faster fixing
- shorter version expands from: 10 - 16" (25 - 40 cm)
- longer version expands from: 16 - 24" (40 - 60 cm)
- material: steel
- pre-galvanized

Part No.	Model	L	B (mm)	H (mm)	Pack 1
59491016	10 - 16" (25 - 40 cm)	323 mm	29.2	13.7	50
59491624	16 - 24" (40 - 60 cm)	440 mm	29.2	13.7	50



### Complementary

- BIS starQuick® Clamp (Grey)
- BIS starQuick® Clamp (White)
- BIS starQuick® Clamp (Copper Colour)

### Complementary

- BIS RapidRail® Hammerfix
- BIS RapidRail® Slide Nut
- BIS starQuick® Universal Rail Adaptor