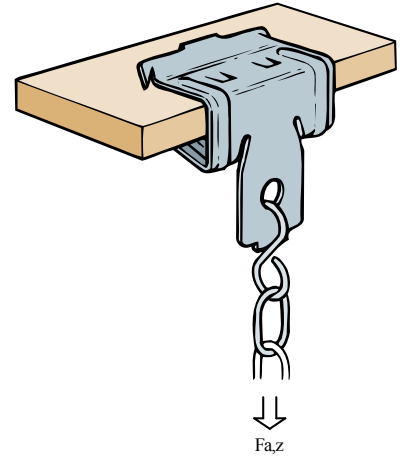


Britclips® Beam Clip

for flange 2 - 30 mm

(J 05 105)

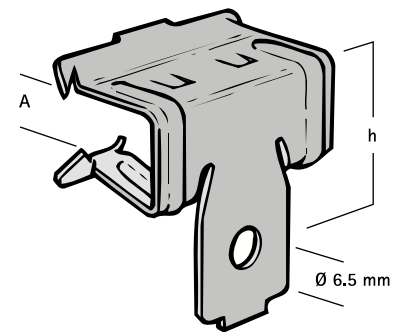


Features and benefits

- for a solid fixing to steel construction without the need for welding or drilling
- with fixing hole (Ø 6.5 mm) to fix S-hook, bolt/nut, etc.
- material: spring steel (type CS70)
- surface treatment: Delta-Tone 9000 (480 hours)

Part No.	Code	A (mm)	h (mm)	F _{a,z} (N)	Pack 1
EM50020004	BC125	2 - 4	21	720	100
EP50020004	BC125	2 - 4	21	720	25
EM50020009	BC250	5 - 9	23	900	100
EP50020009	BC250	5 - 9	23	900	25
EM50020016	BC500	10 - 16	29	900	100
EP50020016	BC500	10 - 16	29	900	25
EM50020020	BC750	17 - 20	34	900	100
EP50020020	BC750	17 - 20	34	900	25
EM50020030	BC1000	23 - 30	40	900	100

For use with static loads only.



Complementary
BIS S-Hook

Alternative
Britclips® Tiger