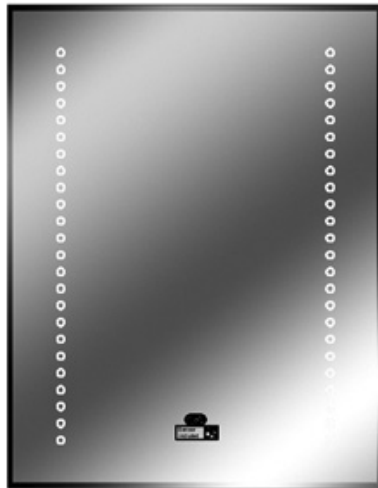


saxby
lighting



Spejel Mirror & Shaver Socket

13759

Thank you for purchasing this light fitting.
Please read the instructions carefully before use to ensure safe and satisfactory operation of this product.
Please retain these instructions for future reference.

Warning

This is a Class I product and must be earthed.

Please read these instructions carefully before commencing any work.

This unit must be fitted by a competent and qualified electrician.

Install in accordance with IEE Wiring regulations and current Building Regulations.

To prevent electrocution switch off at mains supply before installing or maintaining this fitting. Ensure other persons cannot restore the electrical supply without your knowledge.

This light fitting should be connected to a fused circuit.

If replacing an existing fitting, make a careful note of the connections.

This system contains non-replaceable parts and cannot be serviced. If damage occurs the part should be scrapped.

This product is not suitable for dimming.

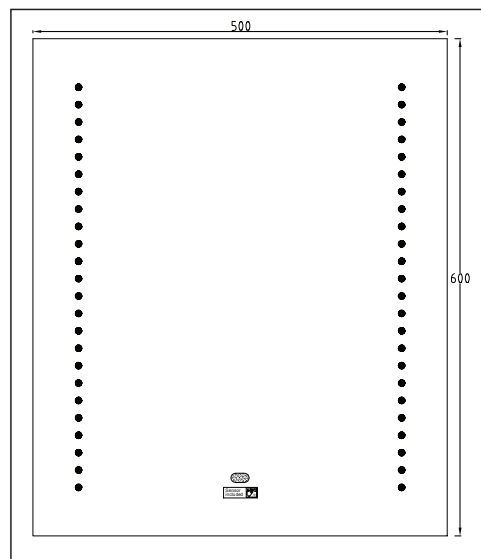
This product is rated at IP44.

Waste electrical products should not be disposed of with household waste. Please recycle where facilities exist.

Check with your local authority or retailer for recycling advice.

Specification

Voltage:	240V 50Hz a.c.
Lamp:	48 White LED's
IP rating:	44

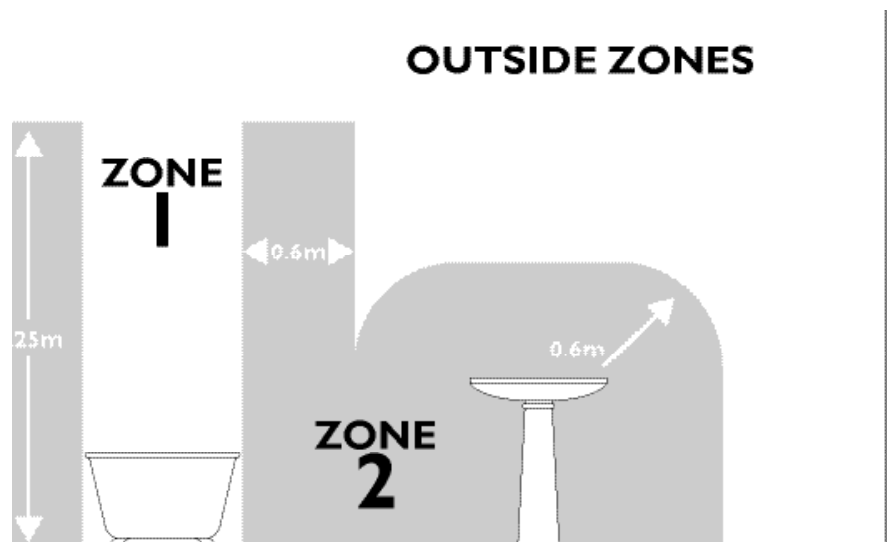


Layout

This product has special protection against the ingress of moisture and is manufactured to meet IP44 standards

This product is suitable for use in Zone 2 and outside Zones of a bathroom. See diagram.

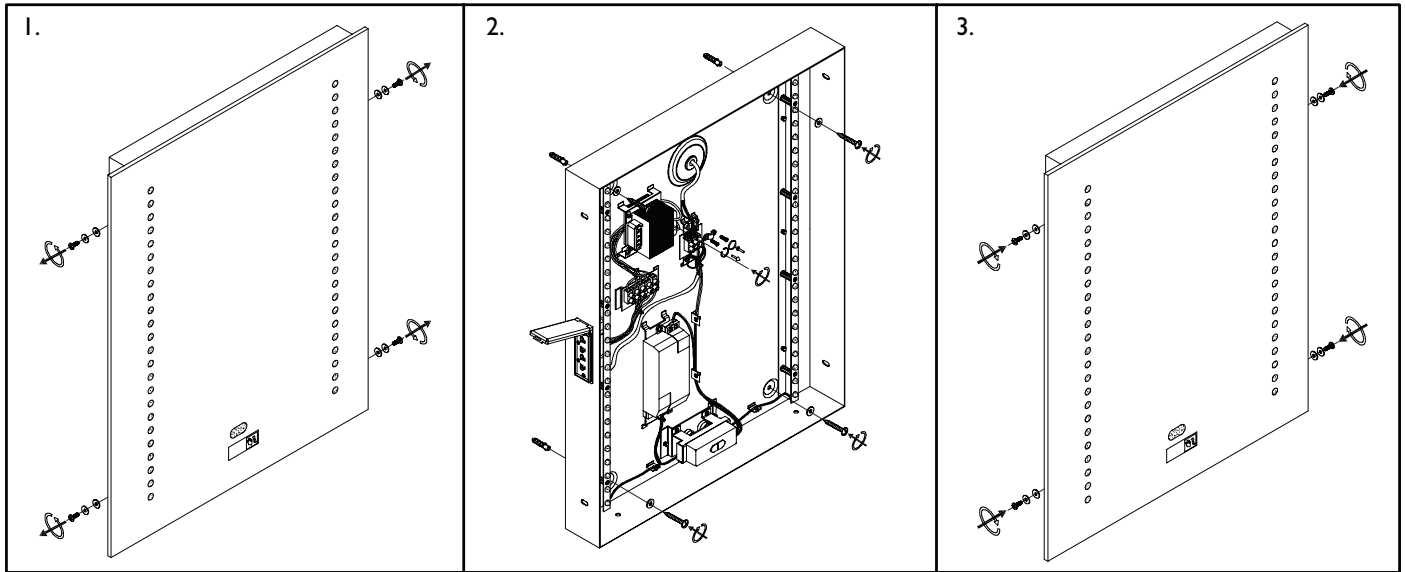
If this unit is being fitted in a room containing a bath or shower, a 30mA RCD must be used in accordance with IEE regulations.



Installation

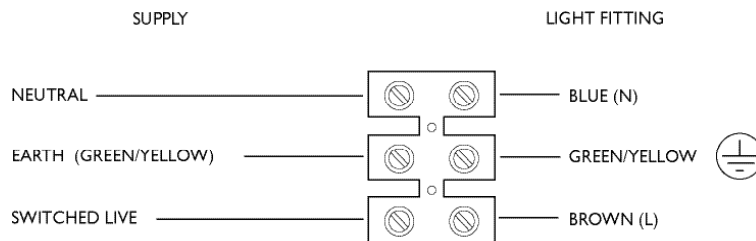
Existing fittings must be completely removed before installation of a new product. Before removing the existing fitting, **carefully note the position of each set of wires.**

1. Remove the wall back from the product by removing the side fixing screws and rubber washers. See Fig. 1.
2. Carefully pierce a small hole in the rubber grommet in the centre of the wall back to allow the cable to pass through. See Fig. 2.
3. Ensure the drain hole is at the base of the wall back, and that the product is correct orientated with the pull cord at the bottom. Thread the cable through the grommet
4. Ensure the wall is capable of holding the weight of the product. Take care to avoid damaging any concealed wiring and pipes. The correct fixings should be used for brick, cavity walls or plasterboard. See Fig. 2.
5. Fix into position. Take care not to trap the supply wire.



Wiring

Having correctly identified the wiring from your existing light fitting, pull the wire through the hole and connect to the connection block inside the product in the following way:



Check That

- You have correctly identified the wires.
- The connections are tight.
- No loose strands have been left out of the connection block.

Commissioning

6. Refit the mirror onto the wall back. Ensure that the seals are correctly located before securing.
7. Replace fuse or circuit breaker and switch on. Your light is now ready for use.
8. This mirror is operated by a touch sensor. To turn the LED's in the mirror on the sensor must be lightly touched. To turn off the LED's touch the sensor again.
9. To access the shaver socket, lift the grey flap up on the side. Select either 240V or 110V depending on the model of shaver.

Fitting / Replacing Bulbs

This system contains non-replaceable parts and cannot be serviced. If damage occurs the part should be scrapped.

Care and Cleaning

We recommend cleaning with a soft dry cloth.

Do not use solvents or abrasive cleaners as these could damage the finish.

Mirror parts - Wash with warm water or use a damp cloth. Do not use abrasive materials as these will damage the finish.

Recycling Advice



Waste electrical products should not be disposed of with household waste. Please recycle where facilities exist. Check with your Local Authority or retailer for recycling advice.

Safety Information

Live Voltages may be present in this unit even when turned of or when completely disconnected.

For your safety, always switch off the supply before changing lightbulbs, or cleaning.

This system contains non-replaceable parts and cannot be serviced. If damage occurs the part should be scrapped.



The mirror must be replaced immediately should it become cracked or damaged. This fitting must not be used without the mirror in place.



Saxby Lighting Ltd. BH23 3PE