

## Commissioning

- Replace the cover on the terminal block. Wrap the earth connection in two layers of insulation tape, and push this into the wall cavity.
- Fit the ends plates, ensuring the one with the drain hole is fitted at the bottom to maintain IP protection. Then fit the shade in place.
- Replace fuse or circuit breaker and switch on. Your light is now ready for use.

## Fitting/replacing bulbs

- When changing a bulb, always switch off at the mains and allow the bulb to cool before handling. Used bulbs should not be disposed of with household waste. Please recycle where facilities exist.
- Always use the correct type and wattage bulb. Using the incorrect wattage bulb will damage the product.
- Use a soft cloth to handle bulbs, avoid directly touching the bulbs as this will shorten their life.
- Using the supplied allen key, undo the top screw and remove the end cap. Lift of the glass shade and set aside.
- Unscrew the bulb cover. Pull the bulb out to remove.
- Push the new bulb in. Refit the bulb cover.
- Fit the glass back into position ensuring that it is seated correctly.
- Refit the top cap and the allen screw using the supplied tool.

We recommend cleaning with a soft dry cloth. Do not use solvents or abrasive cleaners as these could damage the finish.

Glass parts – Remove and wash in warm water or just use a damp cloth. Do not use abrasive materials as these will damage the finish.

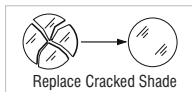
## Recycling advice



Waste electrical products should not be disposed of with household waste. Please recycle where facilities exist. Check with your Local Authority or retailer for recycling advice.

## Safety information

For your safety, always switch off the power supply before cleaning lightbulbs, or cleaning.

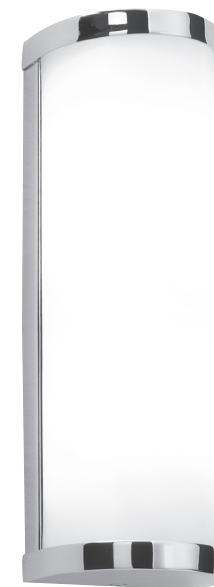


This bulb is protected by a glass shade. This part must be replaced immediately should the glass shade become cracked or damaged. This fitting must not be used without the glass shade in place.

## Instruction leaflet

# Ice Wall

39363



saxby  
lighting

Thank you for purchasing this light fitting. Please read the instructions carefully before use to ensure safe and satisfactory operation of this product. Please retain these instructions for future reference.

## Warning

**This light fitting is double insulated (class 2) and does not require connection to an Earth circuit**

Please read these instructions carefully before commencing any work.

This unit must be fitted by a competent and qualified electrician.

Install in accordance with IEE Wiring regulations and current Building Regulations.

To prevent electrocution switch off at mains supply before installing or maintaining this fitting. Ensure other persons cannot restore the electrical supply without your knowledge.

This light fitting should be connected to a fused circuit.

If replacing an existing fitting, make a careful note of the connections.

Always use the correct type and wattage bulb. Never exceed the wattage stated.

When changing a bulb, always switch off at the mains and allow the old bulb to cool down before handling. Dispose of used bulbs carefully and responsibly. This product is suitable for dimming when used in conjunction with a dimmable lamp. Please ensure verification of dimming abilities with the lamp manufacture prior to use.

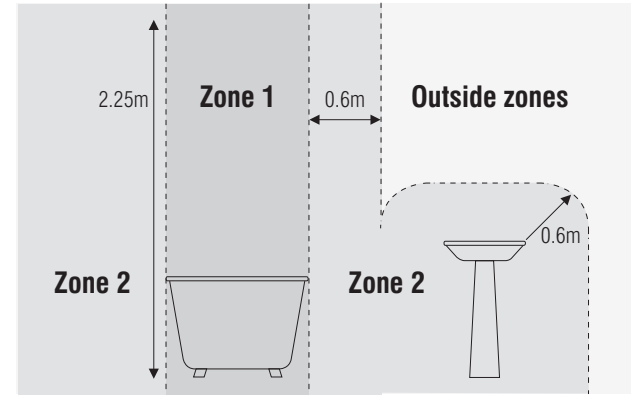
Waste electrical products should not be disposed of with household waste. Please recycle where facilities exist. Check with your local authority or retailer for recycling advice.

## Specification

Voltage: 240V 50Hz a.c.  
Lamp: 2 x 28W G9 Halogen  
IP rating: 44

## Layout

- Plan the desired layout of this fitting carefully, ensuring the cables will reach the distance between the junction box and the light fitting
- Avoid locating any cables in positions that would cause a hazard. Position cables and junction boxes (not supplied) away from areas where they may be at risk from being cut, trapped or damaged
- Cables in walls must be protected using suitable conduit or plastic trunking.
- The mains supply cable must have a minimum cross sectional area of 1.0mm<sup>2</sup>
- This product must only be fitted with the lampholder facing upwards with the drain hole on the bottom end cap.
- This product has special protection against the ingress of moisture and is IP44 rated.
- Please ensure that this light is mounted out of the reach of children.



This product is suitable for use in Zone 2 and outside Zones of a bathroom. See diagram. If this unit is being fitted in a room containing a bath or shower, a 30mA RCD must be used, in accordance with IEE regulations.

## Installation

Existing fittings must be completely removed before installation of a new product. Before removing the existing fitting, **carefully note the position of each set of wires.**

- Using the supplied allen key, undo the top screw and remove the end cap.
- Undo the finials and remove the wall bracket from the

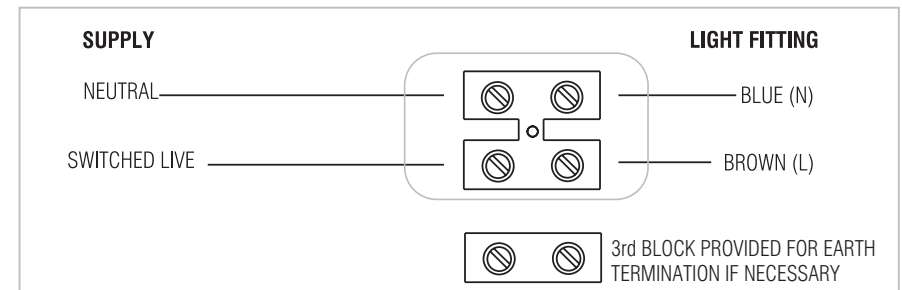
product and set aside.

- Using the wall bracket as a template, hold in place and mark the position of the holes.
- Ensure the wall is capable of holding the weight of the product. Take care to avoid damaging any concealed wiring and pipes. The correct fixings should be used.
- Fit the wall bracket in position

## Wiring

Having correctly identified the wiring from your existing light fitting, connect to the connection block on the product in the following way:  
This unit is double insulated and must not be earthed. If

there are any incoming earth cables, they must be joined together and well insulated with good quality insulation tape. This is to ensure earth continuity throughout your property.



## Check that...

- You have correctly identified the wires
- The connections are tight
- No loose strands have been left out of the connection block.