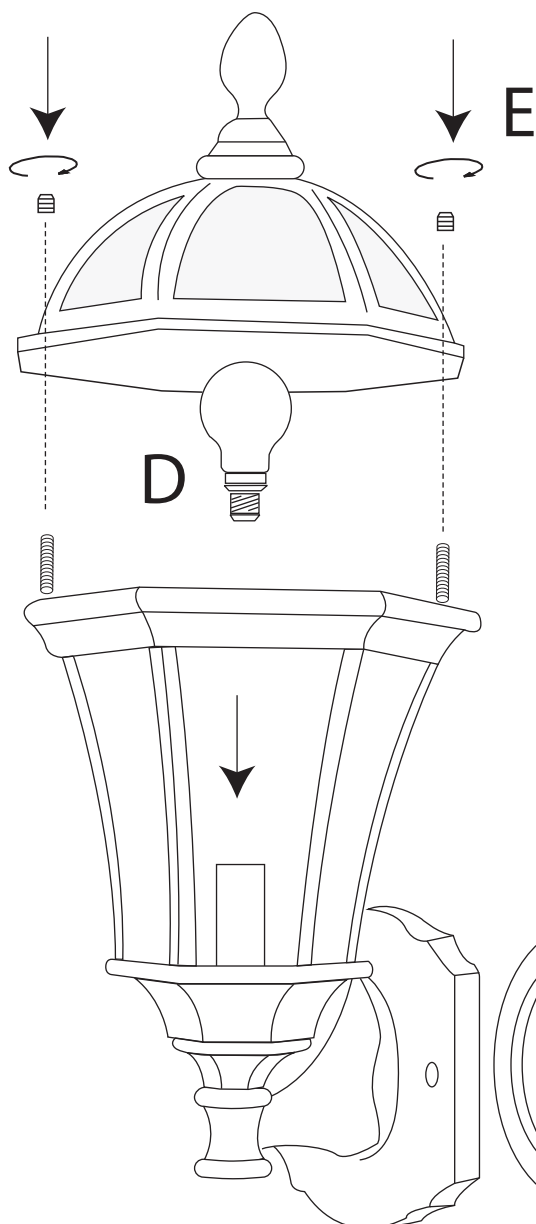
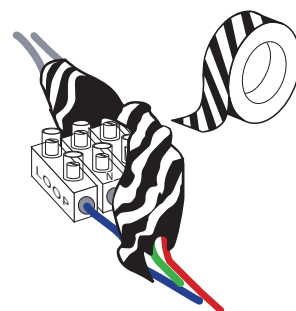
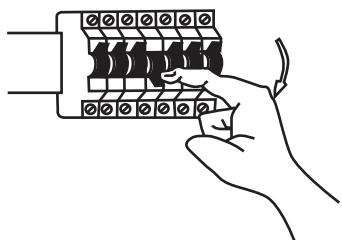
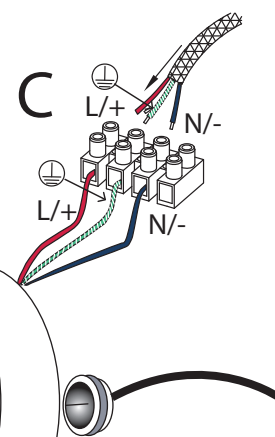


A



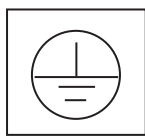
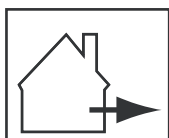
A



B

L/+
N/-
L/+
N/-

IP44



F

