

TIMEGUARD®

60W PIR Bulkhead Light

Model: SLB88 – Black

Model: SLW89 – White



Installation & Operating Instructions

1. General Information

These instructions should be read carefully and retained for further reference and maintenance.

2. Safety

- Before installation or maintenance, ensure the mains supply to the luminaire is switched off and the circuit supply fuses are removed or the circuit breaker turned off.
- It is recommended that a qualified electrician is consulted or used for the installation of this luminaire and install in accordance with the current IEE wiring and Building Regulations.
- Check that the total load on the circuit including when this luminaire is fitted does not exceed the rating of the circuit cable, fuse or circuit breaker.

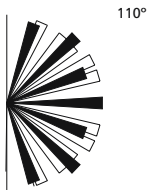
3. Technical Specifications

- 230V AC 50 Hz
- This luminaire is of class I construction and must be earthed
- Total Switchable loads (lamps not supplied):
 - 500W Halogen Max (60W internal lamp max, 440W external lamp max)
 - 100W Fluorescent Max (15W internal lamp max, 85W external lamp max)
 - 30W LED Max (Including external lamps)
- Detection Angle: 110° (adjustable – PIR Rotates left and right only)
- Detection Range: Up to 8 metres max
- Optimum Mounting Height: 1.8 metres
- Time On adjustment: 5 Seconds to 5 Minutes
- IP44 Rated suitable for restricted external applications
- Dusk Level Adjustment: Day and Night or Night only operation
- CE Approved
- Dimensions: H=250mm, W=110mm, D=110mm

4. Installation Advice

- The motion detector has a number of detection zones, at various vertical and horizontal angles as shown (see Image A).
- A moving human body needs to cross/enter one of these zones to activate the sensor. The best all-round coverage is achieved with the unit mounted at the optimum height of 1.8m.
- Careful positioning of the sensor will be required for optimum performance (See Image A).
- The sensor is more sensitive to movement ACROSS its field of vision than to movement directly TOWARD (See Image B). Therefore position the unit so that the sensor looks ACROSS the likely approach path.
- Avoid positioning the sensor where there are any sources of heat in the detection area (extractor fans, tumble dryers etc.).
- Reflective surfaces (i.e. pools of water or white-painted walls) and overhanging branches may cause false activation under extreme conditions.
- During extreme weather conditions the motion sensor may exhibit unusual behaviour, this does not indicate a fault with the sensor. Once normal weather conditions return, the sensor will resume normal operation.

TOP VIEW



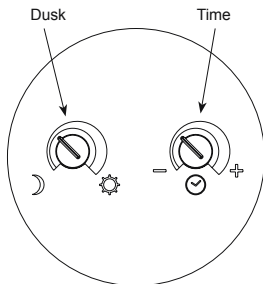
SIDE VIEW



A

8m

C



3

B

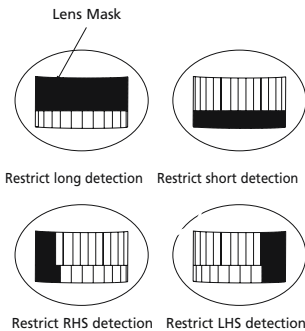


Less sensitive



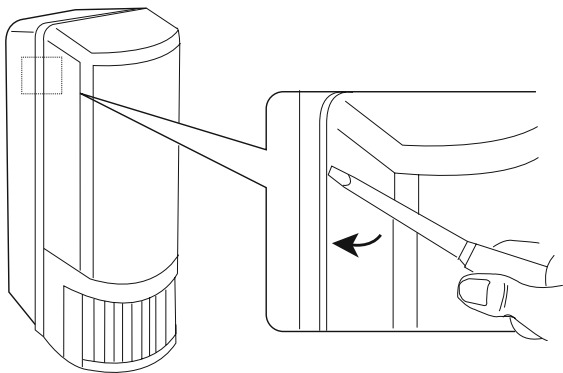
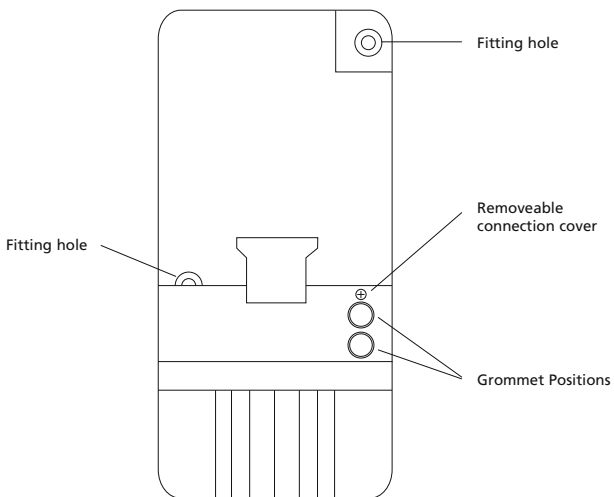
More sensitive

D



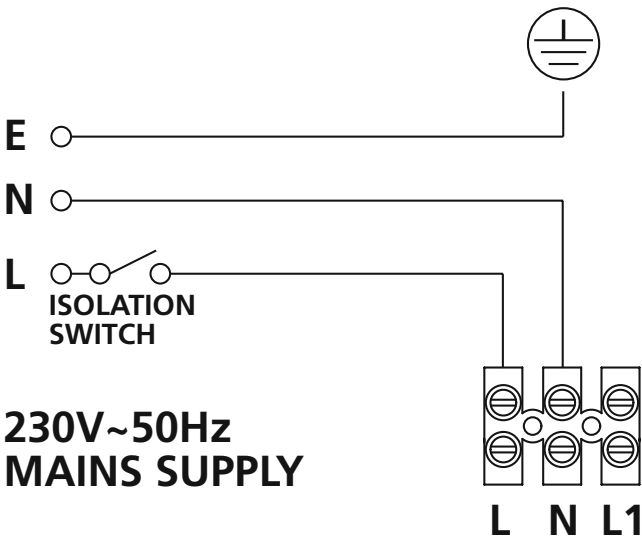
5. Installation

- 5.1 Ensure the mains supply is switched off and the circuit supply fuses are removed or the circuit breaker turned OFF.
- 5.2 An isolating switch should be installed to the switch the power ON and OFF to the luminaire. This allows the unit to be easily switched OFF for maintenance purposes.
- 5.3 Carefully remove the diffuser using a Philips terminal screwdriver to release the clips located both sides of the bulkhead light (See diagram E).
- 5.4 Remove the connection cover by undoing the fixing screw that holds it in place (See diagram F).
- 5.5 Ensure the bulkhead is in an upright position with the sensor at the bottom of the bulkhead.
- 5.6 Mark the position of the mounting holes on the wall using the wall plate as a template and drill the holes ensuring not to infringe with any gas/water pipes or electrical cables that may be hidden below the surface. Insert the rawl plugs into the holes.
- 5.7 Pierce the pre-installed grommet and pass through the 230V AC 50Hz mains supply cable ensuring that the IP rating of the fitting is maintained (silicon sealant may be used).
- 5.8 Secure the back plate to the wall using the correct mounting screws for the rawl plugs installed. Do not overtighten the screws as this could damage the wall plate.
- 5.9 Connect the 230V AC 50Hz mains supply cable to the terminal block ensuring that all bare conductors are sleeved and that correct polarity is observed (See section 6. Connection Diagram).
- 5.10 Re-attach the connection cover and secure using the fixing screw previously removed in step 5.4.
- 5.11 Install the light bulb (not supplied).
- 5.12 Fit the diffuser back onto the main body of the unit, ensuring it clicks firmly into place.

E**5****F**

6. Connection diagram

- Connect the 230V 50Hz mains supply cable to the terminal block as follows;



Live (Brown or Red)

L

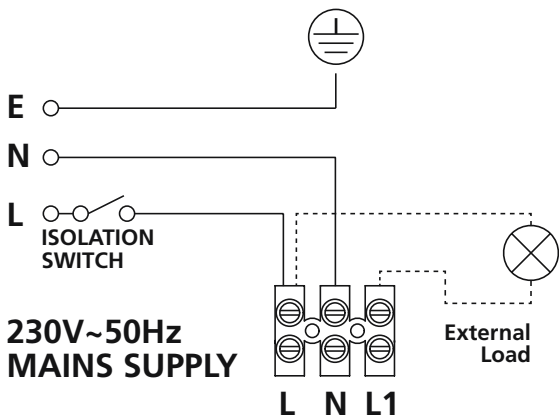
Neutral (Blue or Black)

N

Earth (Green/Yellow)



- The diagram below also shows the required connections for the addition of slave luminaires. When adding slaves, be sure not to exceed the Total Switchable Loads (see section 3. Technical Specifications).



7

7. Operation & Testing

Walk Test Procedure

- The adjustment knobs located beneath the sensor head (see diagram "C") are factory set to "Walk Test Mode" i.e. LUX set to the 'Sun' symbol and the TIME set to the minimum.
- The sensor will rotate from left to right. Adjust the sensor head to the desired direction for best coverage.
- Turn the power to the unit ON. The lamp will illuminate for approximately 1 to 2 minutes. This indicates the unit is wired correctly and the unit is in Test Mode. Try to remain outside the detection area during the warm-up period.

Test Mode

- The lamp will now illuminate for approximately 5 seconds every time movement is detected.
- Walk across the detection area approximately 5 metres from the unit. Each time you are detected the lamp will illuminate. Now stand still until the lamp extinguishes (this should take approx. 2 seconds).

- Start moving again, when you are detected again the lamp will illuminate.
- Repeat the above, walking at various angles and distances to the unit.
This will help you to establish the detection pattern.

Setting up for Automatic Operation

- When the walk tests are complete, the unit can be set up for automatic operation.
- The TIME setting controls how long the unit remains illuminated following activation, and after all motion ceases (See diagram "C").
- The minimum time (fully anti-clockwise) is approx. 5 seconds, whilst the maximum time (fully clockwise) is approx. 5 minutes. Set the control to the desired setting between these limits.
- The LUX control determines the level of darkness required for the unit to start operating. The setting is best achieved by the procedure below (See diagram "C". The LUX adjustment knob is indicated by the 'Moon' and 'Sun' symbols);
 1. Set the LUX control knob fully clockwise.
 2. When the ambient light level reaches the level of darkness at which you wish the lamp to become operative (i.e. at dusk) SLOWLY rotate the control in an anti-clockwise direction until a point is reached where the lamp illuminates.
 3. Leave the control set at this point.
- At this position the unit should become operative at approximately the same level of darkness each evening.
- Observe the operation of the unit. If the unit is starting to operate too early (i.e. when it is quite light) adjust the control slightly anti-clockwise. If the unit starts to operate too late (i.e. when it is very dark). Adjust the control slightly clockwise.
- Continue to adjust until the unit operates as desired.

Masking the Sensor Lens

- To reduce the sensor coverage, preventing detection in unwanted areas, mask the sensor lens using electricians tape or something similar (see diagram D).
- The top section of the lens covers long range detection, the bottom covers short range. Similarly the left and right lens sections cover the left and right detection areas respectively.

8. Troubleshooting

Problem

Solution

- Lamp stays ON all the time at night
The unit may be suffering from false activation. Cover the sensor lens completely with a thick cloth. This will prevent the sensor from 'seeing' anything. If the unit now switches off after the set time duration and does not re-activate, this indicates that the problem was caused by false activation. The problem may be solved by slightly adjusting the direction/angle of the sensor head (See section 7. Operation & Testing).
- The PIR sensor keeps activating for no reason/ at random
Occasionally, winds may activate the sensor. Sometimes passages between buildings etc. can cause a 'wind tunnel' effect. Ensure the unit is not positioned so as to allow detection of cars/people using public thoroughfares adjacent to your property.
- The PIR sensor will not operate at all
Check that the power is switched ON at the circuit breaker/internal wall switch.
Turn OFF the power to the unit and check the wiring connections as per the diagram (See section 6. Connection Diagram). Ensure no connections are loose. Check the lamp. If the lamp has failed, replace. Ensure that the lamp is seated correctly in the lamp holder.
- The PIR sensor will not operate at night
The level of the ambient light in the area may be too bright to allow operation at the current LUX setting. During the hours of darkness, adjust the LUX control slowly clockwise until the lamp illuminates (See section 7. Operation & Testing).
- The unit activates during the daytime
The level of ambient light in the area may be too dark for the current LUX setting. During daylight, adjust the LUX control slightly anti-clockwise. When the lamp load extinguishes, enter the detection area. If the PIR still activates, the setting is still too high. Repeat the above procedure until the PIR does not activate when you enter the detection area. Refer to previous section for more details.

- The PIR sensor coverage is poor/sporadic
 - The detection range varies from day to day
- The unit may be poorly located (See section 4. Installation Advice) and may need to be moved.
- PIR sensors are influenced by climatic conditions. The colder the ambient temperature, the more effective the sensor will be. You may need to make seasonal adjustments to the sensor head position to ensure trouble-free operation all year round.

3 Year Guarantee

In the unlikely event of this product becoming faulty due to defective material or manufacture within 3 years of the date of purchase, please return it to your supplier in the first year with proof of purchase and it will be replaced free of charge. For years 2 and 3 or any difficulty in the first year, telephone the helpline on 020 8450 0515.

Note: A proof of purchase is required in all cases. For all eligible replacements (where agreed by Timeguard) the customer is responsible for all shipping/postage charges outside of the UK. All shipping costs are to be paid in advance before a replacement is sent.



If you experience problems, do not immediately return the unit to the store. Telephone the Timeguard Customer Helpline;

HELPLINE

020 8450 0515

or email helpline@timeguard.com

Qualified Customer Support Co-ordinators will be on-line to assist in resolving your query.



A **theben** Group Company

For a product brochure please contact:

Timeguard Limited.

Victory Park, 400 Edgware Road,

London NW2 6ND

Sales Office: 020 8452 1112

or email csc@timeguard.com

www.timeguard.com