

BW 20L

BW Pack, brass gland and locknut, shroud



Products may differ in size, colour and appearance to those shown. If you require further information or customisation, please contact us directly.

Material	Brass
Material shrouds	PVC
Packing unit	2
Temp. range min	-80 °C
Temp. range max	300 °C
Protection class	IP20
Thread type	M
Ø Connection thread D	20
Lead	1,5
Length screw-in thread L	10 mm
Ø cable diameter max	18,3 mm
Key width SW	24 mm
Collar diameter (E)	26 mm
Total length TL	29 mm
Type	BW 20L
WISKA-Order no.	50101694

Recommended accessories

ORD-N 20	50108501
-----------------	----------

20.02.2024

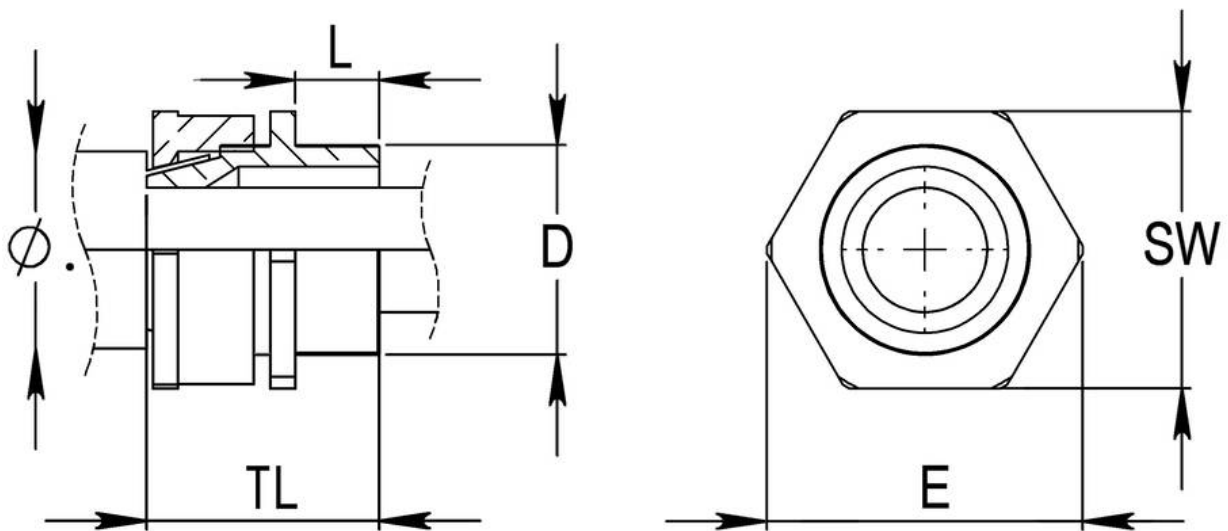
Your Contact:

WISKA UK Ltd.

Unit 7, Hurling Way · St. Columb Major Business Park · TR9 6SX, St. Columb Major, Cornwall · Great Britain

☎ +44-12-08816062 · 📠 +44-12-08816708

info@wiska.co.uk · www.wiska.co.uk



Your Contact:

WISKA UK Ltd.

Unit 7, Hurling Way · St. Columb Major Business Park · TR9 6SX, St. Columb Major, Cornwall · Great Britain

☎ +44-12-08816062 · 📠 +44-12-08816708

info@wiska.co.uk · www.wiska.co.uk