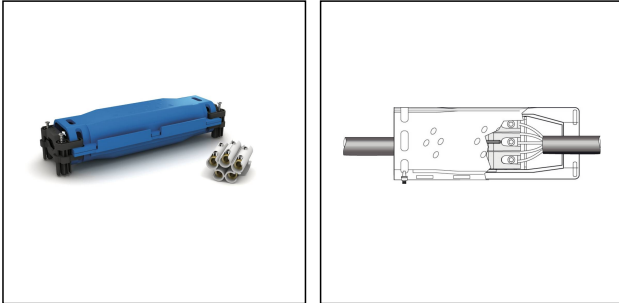


## SHARK 506W

### Classic Series



Products may differ in size, colour and appearance to those shown. If you require further information or customisation, please contact us directly.

<b>Material</b>	Polyamide
<b>Filling</b>	Silicone
<b>Temp. range min</b>	-20 °C
<b>Temp. range max</b>	90 °C
<b>Glow wire test</b>	self-extinguishing
<b>Voltage</b>	0,6 kV - 1 kV
<b>Terminals/poles</b>	3 - 5 x 1,5 - 6 mm <sup>2</sup>
<b>Quantity of cable</b>	3 - 5
<b>Order no. UK</b>	SH506W
<b>Type</b>	SHARK 506W
<b>Packing unit</b>	1
<b>ETIM-Classification</b>	EC001169

#### Remarks:

Ampere: 80  
Cable Size: (5 core) 1.5 - 6 mm  
LxBxH: 55x146x35mm

#### Description:

SHARK Pre-filled gel insulated straight joint. Includes retention clamp, earth braid and constant force roll springs. Perfect for steel wired armour cable.

#### Additional Info:

Ready to use, re-enterable, no mixing or pouring, immediate operation, excellent electrical insulation, good mechanical strength, no expiry date.

#### Your Contact:

##### WISKA UK Ltd.

Unit 7, Hurling Way · St. Columb Major Business Park · TR9 6SX, St. Columb Major, Cornwall · Great Britain

☎ +44-12-08816062 · 📠 +44-12-08816708



info@wiska.co.uk · www.wiska.co.uk

28.10.2020

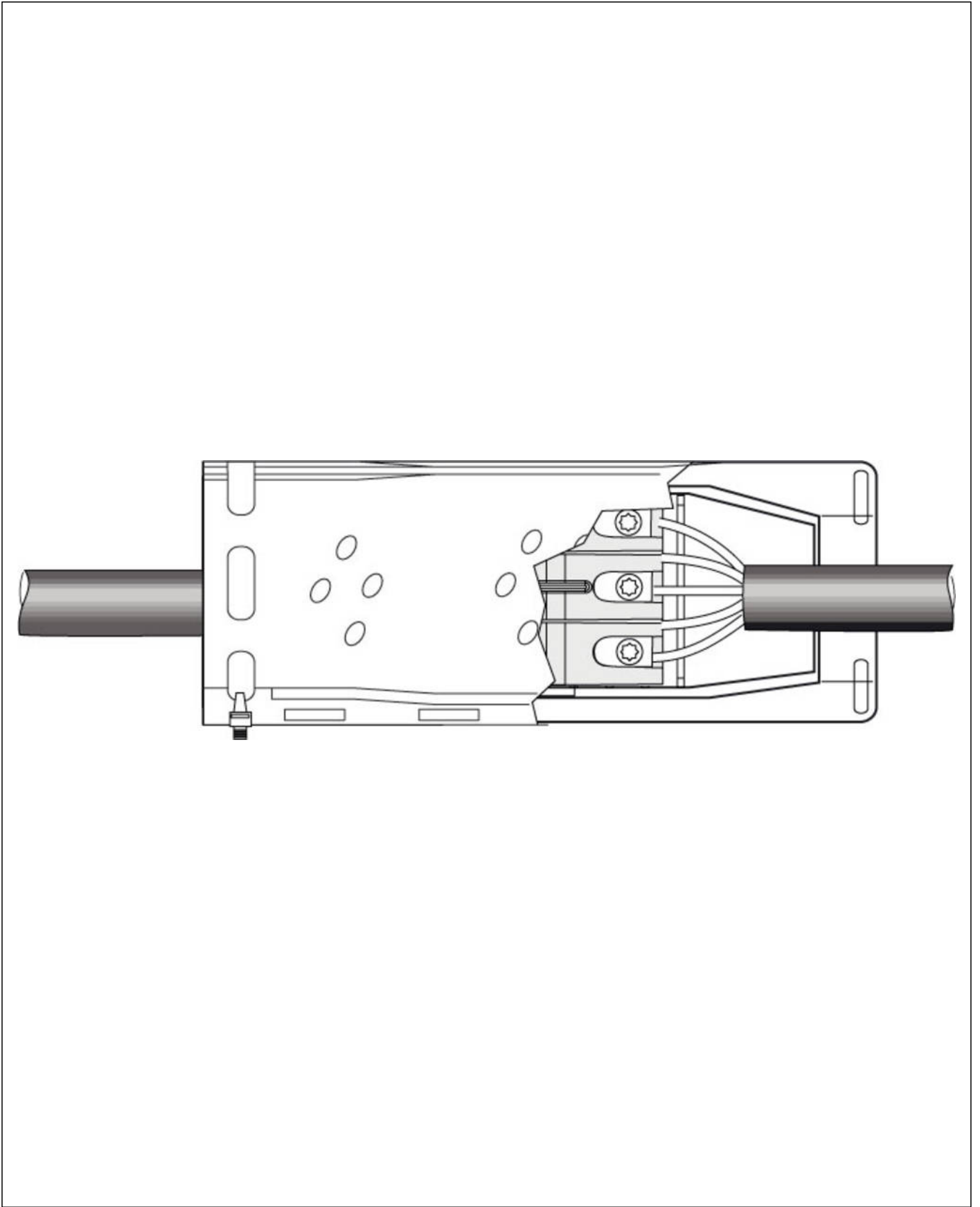
Your Contact:

**WISKA UK Ltd.**

Unit 7, Hurling Way · St. Columb Major Business Park · TR9 6SX, St. Columb Major, Cornwall · Great Britain

 +44-12-08816062 ·  +44-12-08816708

info@wiska.co.uk · www.wiska.co.uk



Your Contact:

**WISKA UK Ltd.**

Unit 7, Hurling Way · St. Columb Major Business Park · TR9 6SX, St. Columb Major, Cornwall · Great Britain

☎ +44-12-08816062 · 📠 +44-12-08816708

info@wiska.co.uk · www.wiska.co.uk