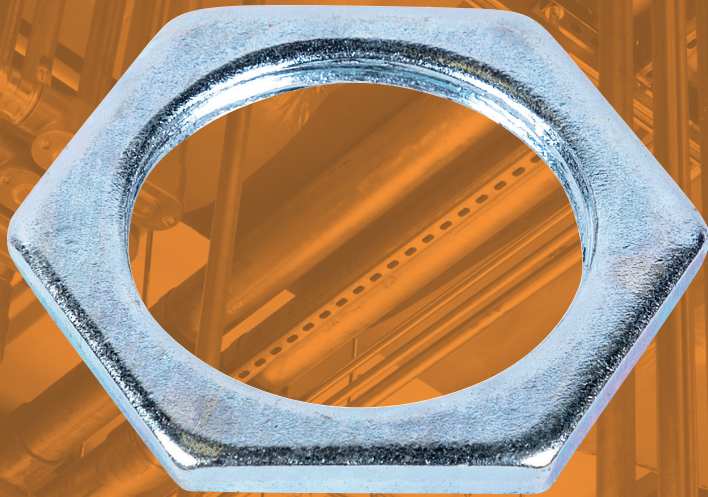


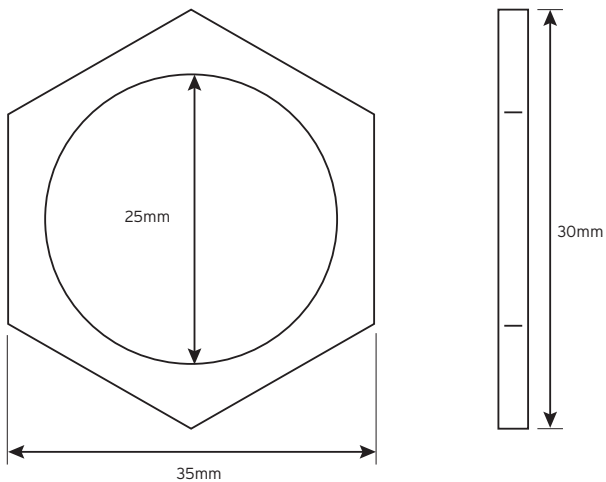
niglon

Cable Management



SLN25G Locknuts Light & Heavy Gauge

Technical Drawing



Technical Specifications

Standard of Compliance	BS 4568 & BS31
Material	BZP
Size	25mm