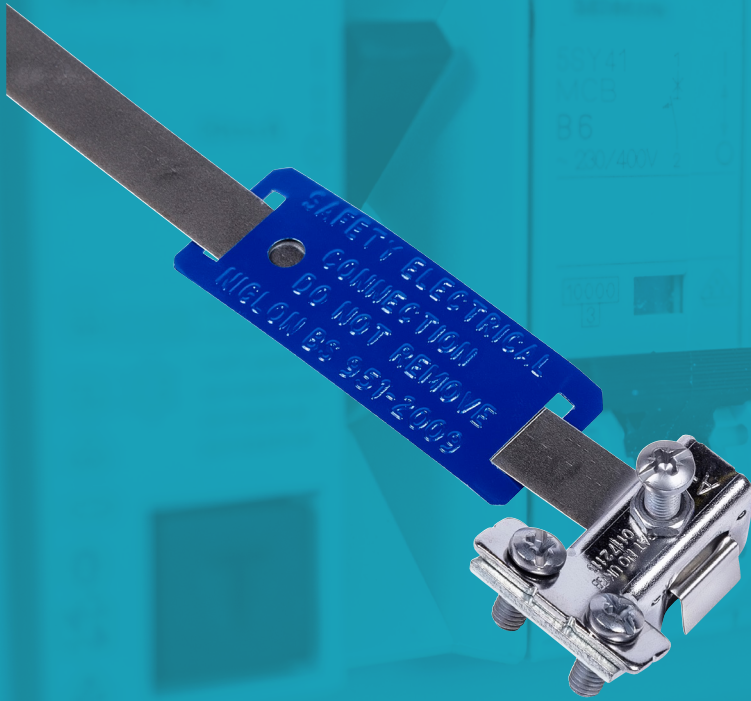


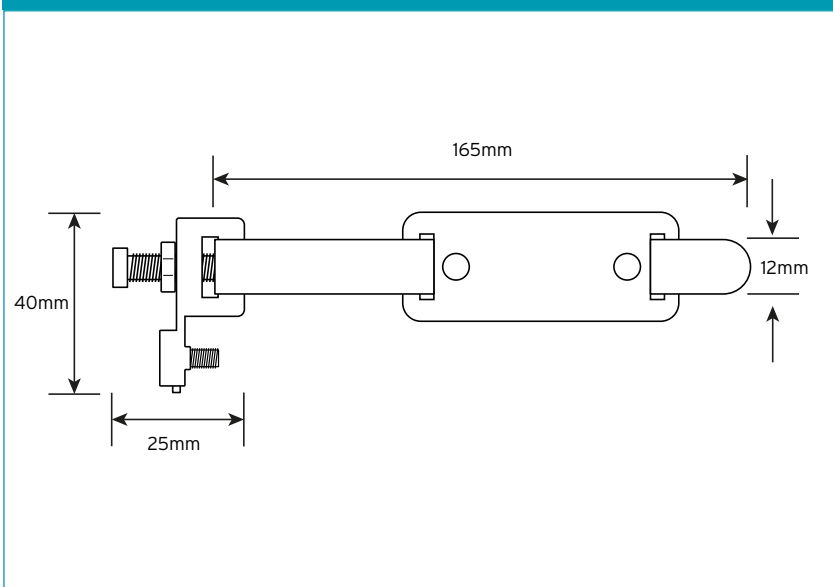
niglon

Circuit Protection

AEC3-16 Damp Condition Clamps



Technical Drawing



Technical Specifications

Pipe Diameter	12-32mm
Maximum Conductor	A-E 2 x 16mm ²
Standard of Compliance	BS 951
Clamp Dimension	25 x 40 x 13mm (H x W x D)
Strap Dimension	12 x 165mm (W x L)