

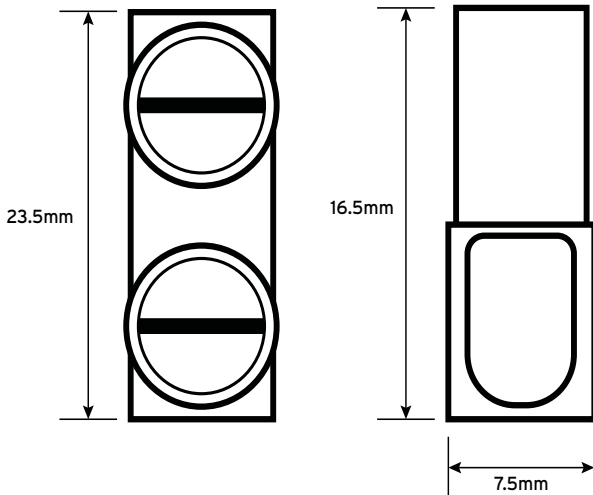
# niGLON

## Installation Essentials



## PN15 12 Way Strips Economy Range

### Technical Drawing



### Technical Specifications

Rated insulation voltage	450V
Rated current	15A
Maximum Cable Size	10mm <sup>2</sup>
Minimum Cable Size	2.5mm <sup>2</sup>
Screw terminals	Screw Connection
Number of poles	1 - 12
Ambient temperature	T80
Screw diameter	2.5mm
Material of insulation	PA66
Size (One way)	16.5mm High x 7.5mm Wide x 23.5mm Deep
Certification	