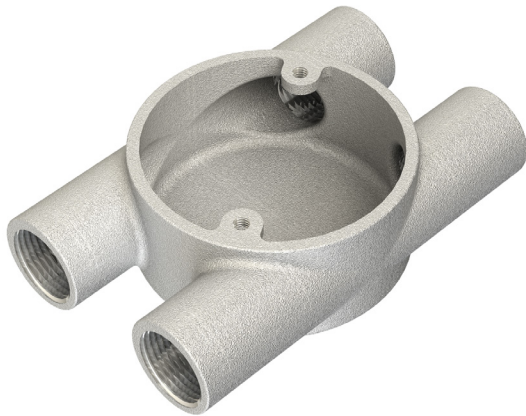


PRODUCT CODE: MB16G
MALLEABLE CONDUIT BOX



DESCRIPTION

25mm Malleable Through H Conduit Box

FINISH

Hot Dipped Galvanised

MATERIAL

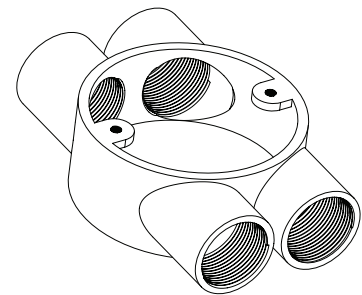
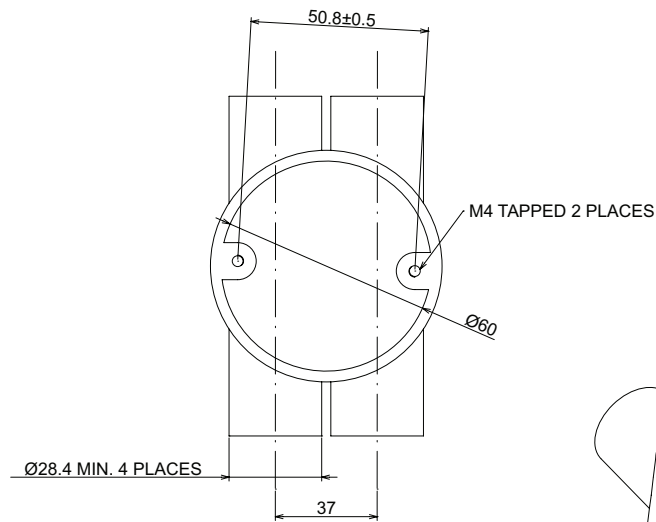
Malleable Iron

PACKAGING

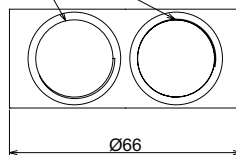
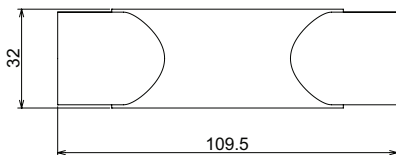
Packed in qty 10

ADDITIONAL NOTES

Conforms to BS EN61386-1:2008
Compliant to LU Standard 1-085 (for use on surface & sub-surface locations)



M25 CONDUIT THREAD 16mm DEEP 4 PLACES



⊕ Values are nominal and with a general tolerance ±5% unless otherwise specified