

PRODUCT CODE: JCO
NO 8 JACK CHAIN

DESCRIPTION

No. 8 Jack Chain: 4mm x 10mtr

FINISH

Galvanised

MATERIAL

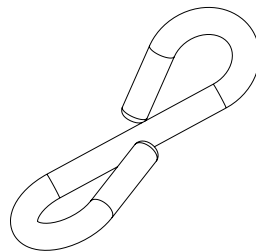
Steel

PACKAGING

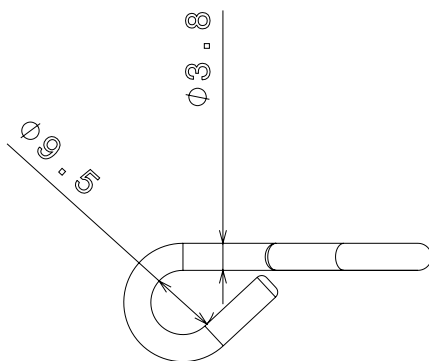
Packed in qty 1

ADDITIONAL NOTES

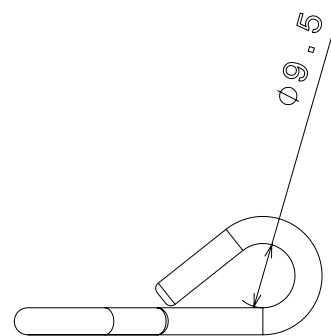
Pack contains 10 metres of chain
Compliant to LU Standard 1-085 (for use on surface & sub-surface locations)



Isometric view



Top view



Side view