

**PRODUCT CODE: HS1G**  
HALF SADDLE



**DESCRIPTION**

20mm Half Saddle

**FINISH**

BZP

**MATERIAL**

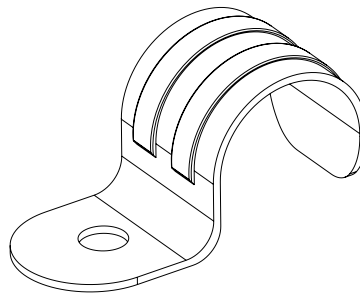
Pressed Steel

**PACKAGING**

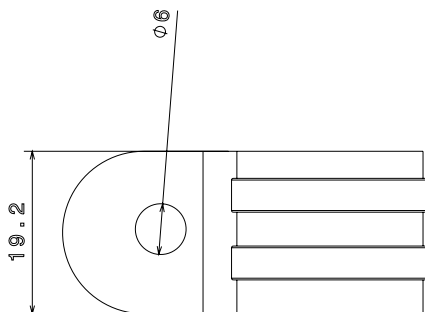
Packed in qty 100

**ADDITIONAL NOTES**

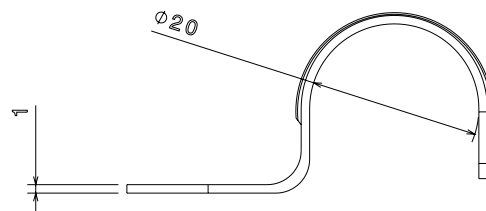
Conforms to BS EN61386-1  
Compliant to LU Standard 1-085 (for use on surface & sub-surface locations)



Isometric view



Top view



Side view