

PRODUCT CODE: DS1B
DISTANCE SADDLE



DESCRIPTION

20mm Distance Saddle

FINISH

Black Enamel

MATERIAL

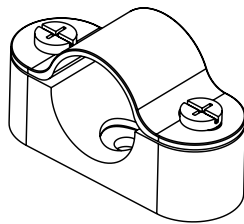
Body: Cast / Strap: Pressed Steel

PACKAGING

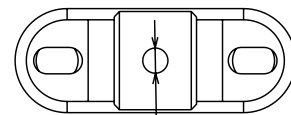
Packed in qty 50

ADDITIONAL NOTES

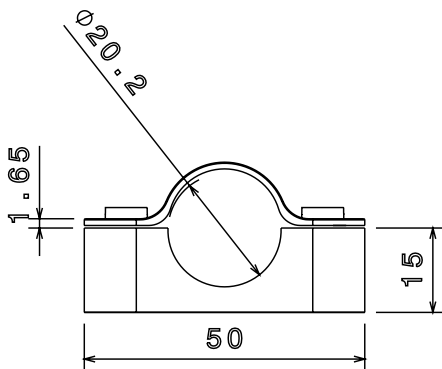
Conforms to BS EN61386-1
Compliant to LU Standard 1-085 (for use on surface & sub-surface locations)
Comprises; body, strap and 2 x screws



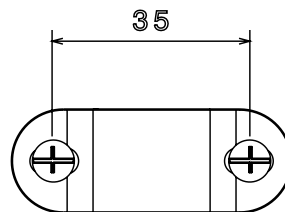
Isometric view



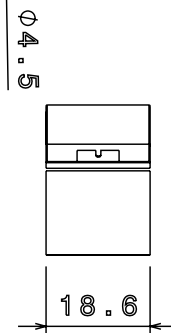
Bottom view



Front view



Top view



Side view