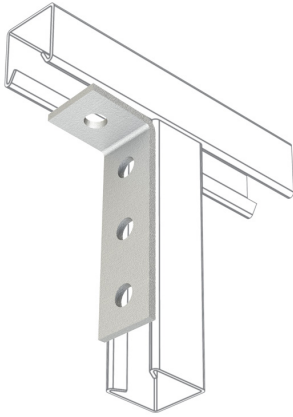


PRODUCT CODE: MP10
CHANNEL BRACKET



DESCRIPTION

1 + 3 Hole 90° Bracket

FINISH

Hot Dipped Galvanised

MATERIAL

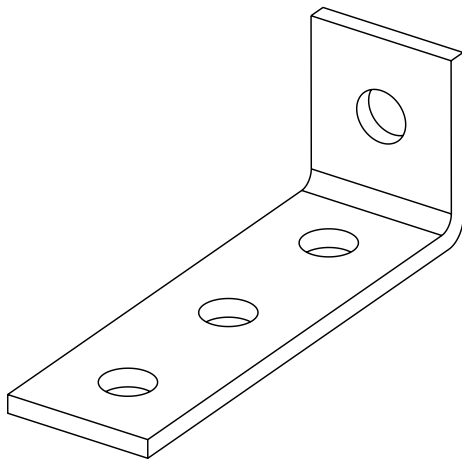
Steel

PACKAGING

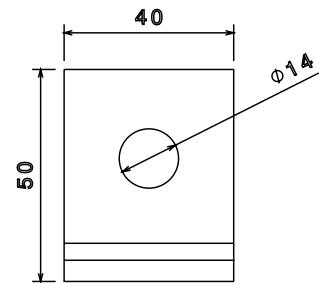
Packed in qty 25

ADDITIONAL NOTES

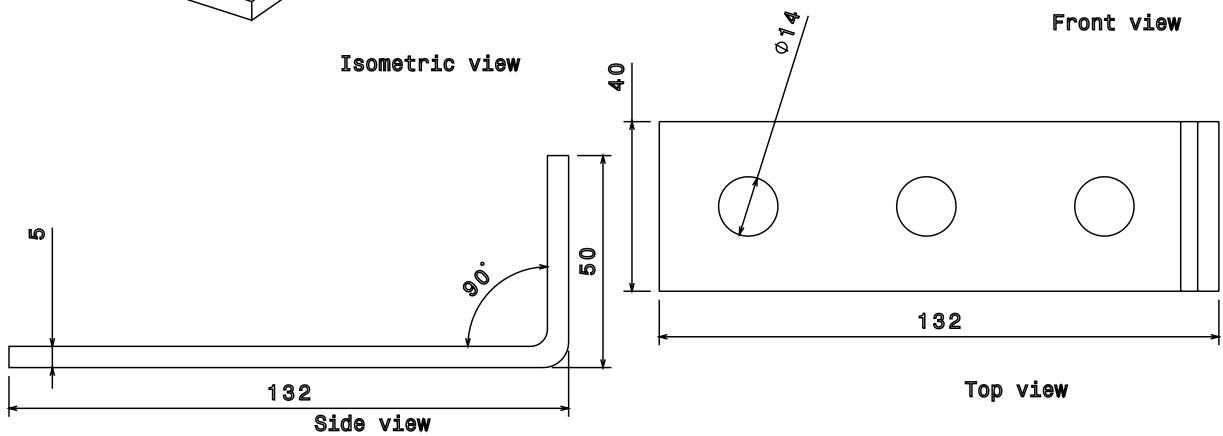
Compliant to LU Standard 1-085 (for use on surface & sub-surface locations)



Isometric view



Front view



Side view

Top view