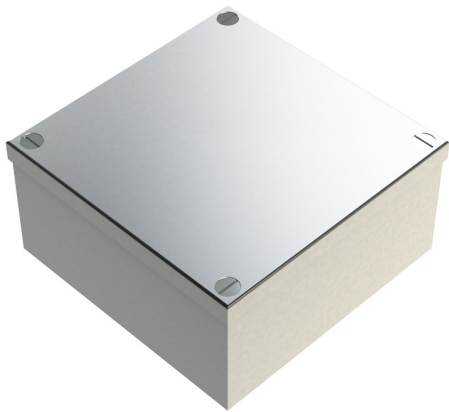


**PRODUCT CODE: AB05G**  
ADAPTABLE BOX - PLAIN



**DESCRIPTION**

100 x 100 x 50mm (4 x 4 x 2") Adaptable Box, Plain

**FINISH**

Pre Galvanised

**MATERIAL**

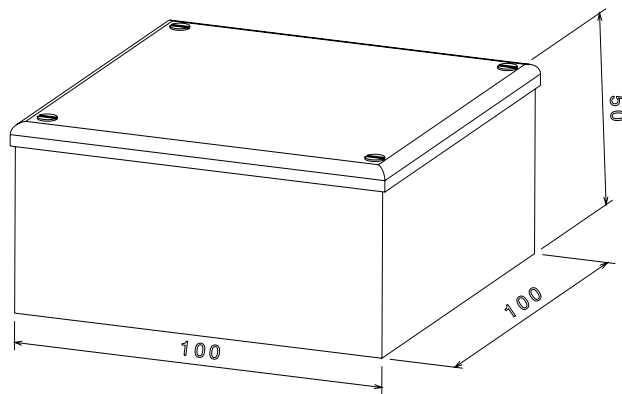
Galvanised Sheet Steel

**PACKAGING**

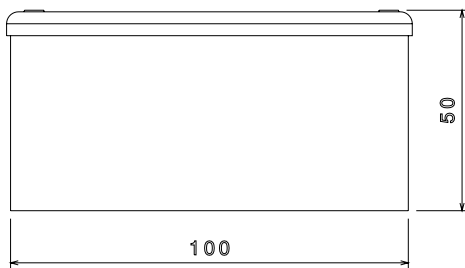
Packed in qty 5 (can be purchased individually)

**ADDITIONAL NOTES**

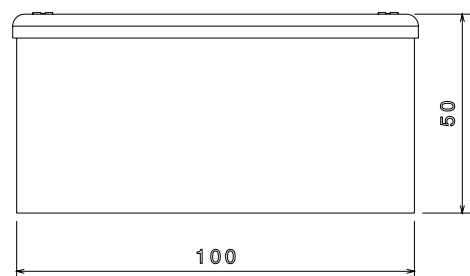
Comprises body, flanged cover and M5 x 10mm lid fixing screws  
Plain sides (also available with pre-cut knockouts)  
Compliant to LU Standard 1-085 (for use on surface & sub-surface locations)



Isometric view



Front view



Side view