

Part number

# TM 6365 SP



Interlocked switched socket-outlet, TM series, 3 poles + N + PE, 6 h (red), 63 A, 346 ÷ 415 V, without fuse-carrier, with base box

## Product description

<b>Product type</b>	Interlocked switched socket-outlet
<b>Series</b>	TM..SP/KSP
<b>N. of poles</b>	3 poles + N + $\perp$
<b>Clock position</b>	6
<b>Size</b>	145 x 565 x 18 mm
<b>Specification</b>	Without fuse-carrier With base box

## Technical data

<b>Current</b>	63 A
<b>Voltage</b>	346 - 415 V
<b>IP degree of protection</b>	IP66/IP67
<b>Further technical details</b>	
<b>Weight</b>	3.600,00 g
<b>Operating temperature range (min, max)</b>	-25°C ... +40°C
<b>UL 94 flammability rating</b>	V-0 (insert), V-2 (enclosure)
<b>IK rating (impact degree of protection)</b>	IK10

## Material properties

<b>Colour</b>	RAL 7012 grey, RAL 3000 red
---------------	-----------------------------

## Approvals / Standards

<b>Reference standard</b>	EN 60309-1 and -2
---------------------------	-------------------

## General ordering information

<b>EAN13 code</b>	8015747100656
-------------------	---------------

## Packaging Information

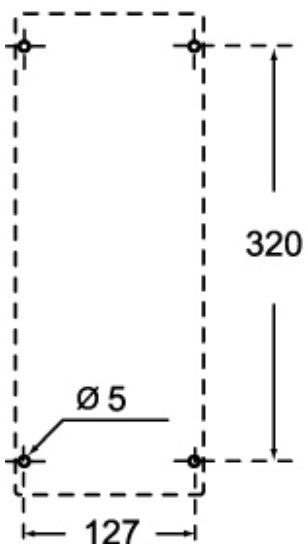
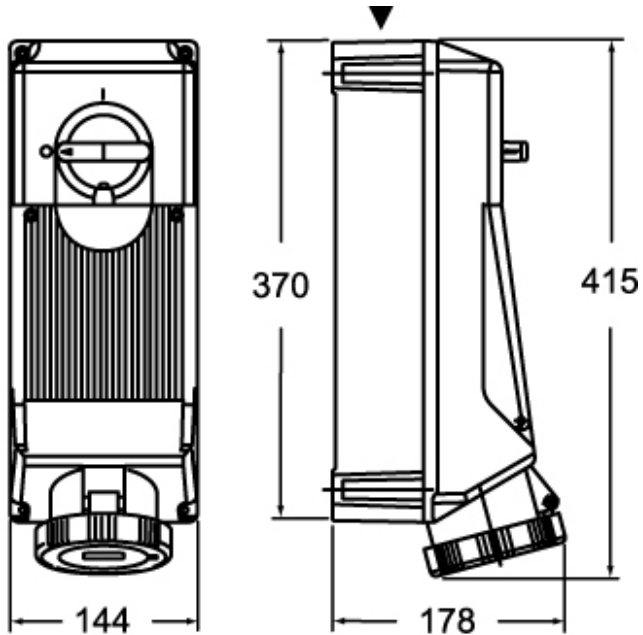
<b>Sub-packaging length</b>	150,00 mm
<b>Sub-packaging height</b>	188,00 mm
<b>Sub-packaging width</b>	430,00 mm
<b>Sub-packaging weight</b>	3,60 kg
<b>Sub-packaging volume</b>	12,13 dm <sup>3</sup>
<b>Sub-packaging description</b>	Carton box
<b>Sub-packaging quantity</b>	1 Pcs
<b>Sub-packaging EAN barcode</b>	8015747103114

Part number

# TM 6365 SP



Catalogue drawings



## Notes

Dimensions shown in mm are not binding and may be changed without notice.