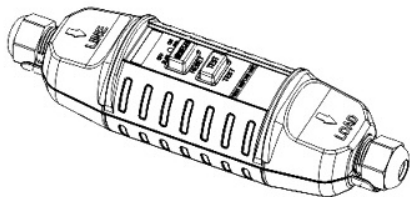


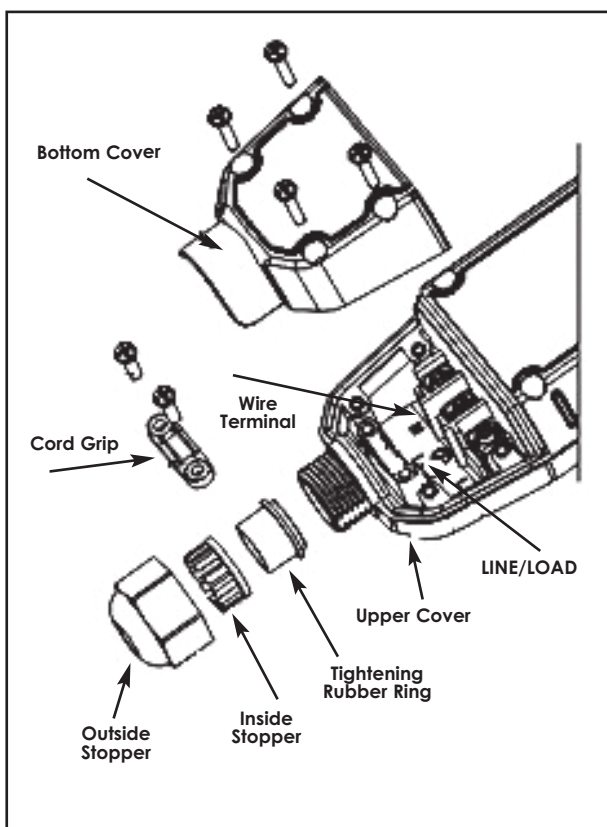
Model Number: RCDL-C

SafetySure RCDL-C is a two pole in-line portable RCD, designed for use in commercial and industrial environments where rough handling is expected.

**WIRING****IMPORTANT FOR YOUR PROTECTION**

This unit should be installed by a competent person in accordance with the current IET Wiring Regulations. If in doubt consult a qualified electrician.

- Electricity is dangerous and an RCD must not be used as a substitute for normal precautionary measures.
 - Always unplug from mains supply before any inspection or repair to equipment.
 - Do not allow children to tamper with electrical devices.
 - Should your In-line RCD repeatedly trip with an appliance connected, or fail to trip when tested, seek advice immediately from a competent electrician or return to place of purchase.
 - This device will protect against live and neutral faults to earth.
 - It will not protect against electric shock due to contact with both conductors, short circuits between live and neutral, or a fault in the wiring supplying this device.
1. Make sure the LINE is the input end, and the LOAD is at the output end. Prepare cable as per wiring diagram.
 2. The cable goes through the product from the OUTSIDE STOPPER to INSIDE STOPPER, TIGHTENING RUBBER RING and end hole of UPPER COVER in sequence.
 3. Clamp conductor ends to terminals according to wiring diagram.
 4. Clamp cable with cord grip. tighten the two screws.
 5. Tighten outside stopper to secure cable.
 6. Locate the BOTTOM COVER with the four screws, making sure all screws are securely tightened.

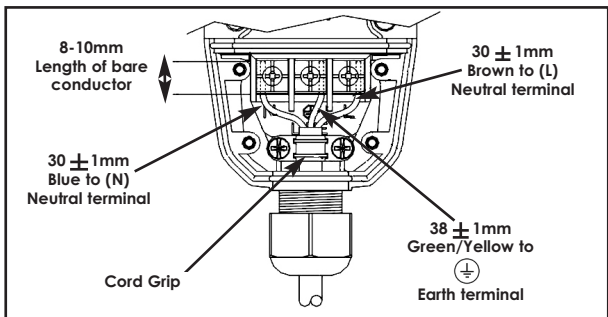


WIRING LAYOUT

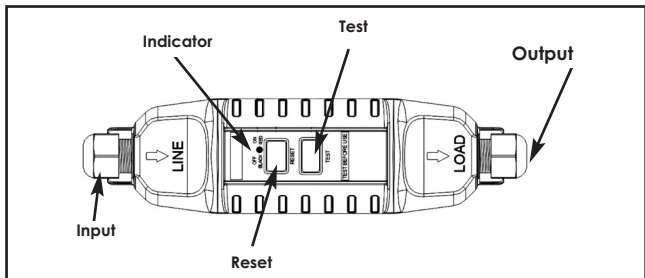
- Blue to (N) Neutral wire terminal
- Green/Yellow to (⊕) Earth Terminal
- Brown to (L) Live wire terminal

Replace the cord grip and secure with screws.

NOTE: The cable must extend past the cord grip by 3mm.



INSTRUCTIONS



Test Before use:

1. Plug line input into socket outlet.
2. Press 'RESET' button indicator should be 'ON' (Red).
3. Press 'TEST' button indicator should be 'OFF' (Black).
4. Press 'RESET' button for use, DO NOT USE if 'TEST' fails.

Note:

The SafetySure In-line Portable RCD has been designed for storage and use between -5°C and +40°C at an altitude no greater than 2000m above sea level. Care must be taken not to subject your SafetySure to abnormal pollution by smoke chemical or flammable fumes, salt laden spray, prolonged periods of high humidity, immersion, repeated dropping, or any other abnormal conditions.

TECHNICAL INFORMATION

Rated voltage:	230V/250V AC~50/60Hz
No of Poles:	2
Maximum Operating Current:	13 Amps (4 amps inductive load)
IP Rating:	IP55
Maximum Load:	3kW
Rated Tripping Current:	30 mA
Max Cable Dia:	7 - 10mm
Conforms to:	BS 7071, EN 61543

GUARANTEE

Your GreenBrook In-line RCD is guaranteed for 1 year from the date of purchase. This is in addition to your statutory rights.

PLEASE KEEP THESE INSTRUCTIONS SAFE FOR FUTURE REFERENCE



GREEN BROOK
ELECTRICAL
WEST ROAD . HARLOW
ESSEX . CM20 2BG . UK
info@greenbrook.co.uk
www.greenbrook.co.uk