

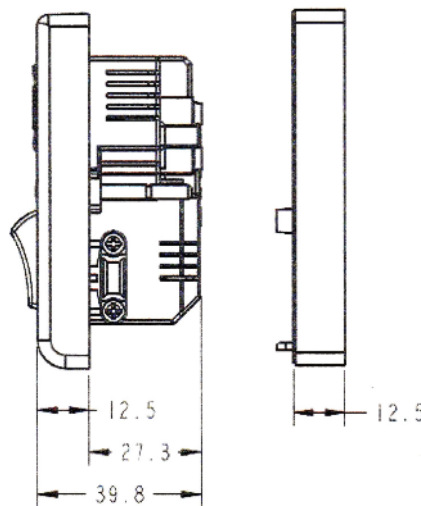
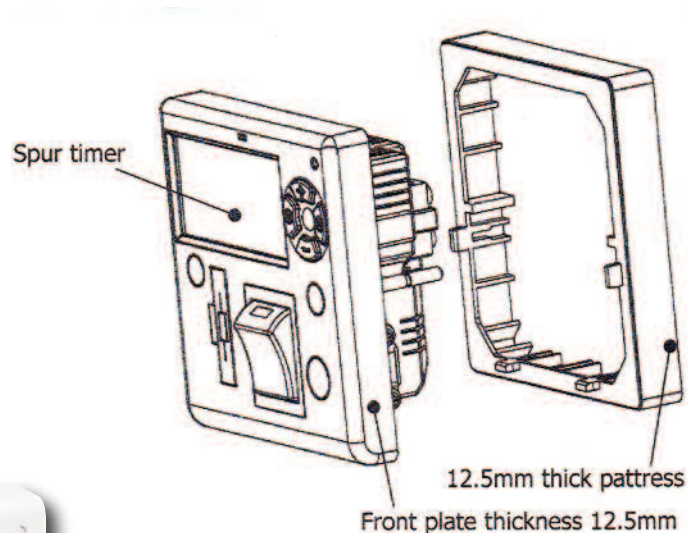
# FUSED TIMER SPUR SWITCH - 7 DAY

Ideal for control of towel rails, panel heaters, immersion heaters & fan heaters.

- Energy saving
- Easy to program
- 'Boost' and 'Advance' controls
- Surface/flush mounting
- Front cable entry
- Will fit 25 - 47mm back boxes



T205-C



	<b>T205-C</b>
<b>Product Finish</b>	White
<b>Product Dimensions</b>	86.5 x 86.5 x 40mm (46.5mm including switch on front)
<b>Product weight</b>	180 gms
<b>Barcode</b>	5012739634949
<b>Voltage</b>	230V - 50Hz
<b>Rated Impulse Voltage</b>	2,500V
<b>Pollution Degree</b>	2
<b>Display</b>	LCD
<b>Operating Temp</b>	-5°C to +40°C
<b>Battery Life</b>	700 hrs
<b>Max Load</b>	Resistive 13A inductive 6A
<b>Isolation</b>	Double Pole Isolation Switch
<b>Settings</b>	28 ON and OFF Easy set - day / 5 day / 7 day blocks
<b>Max Wattage</b>	3000W
<b>Operating Temp</b>	-5°C to +40°C
<b>Main housing material</b>	Polycarbonate
<b>Fixings</b>	2 x 35mm, 3.5mm/2 x 25mm, 3.5mm Fixing screws
<b>Guarantee</b>	1 Year
<b>Certification &amp; Conformity</b>	BS 1363-4:1995+A4:2012, BS EN 60730-1:2011, BS EN 60730-2-7:2010, BS 4662:2006+A1:2009