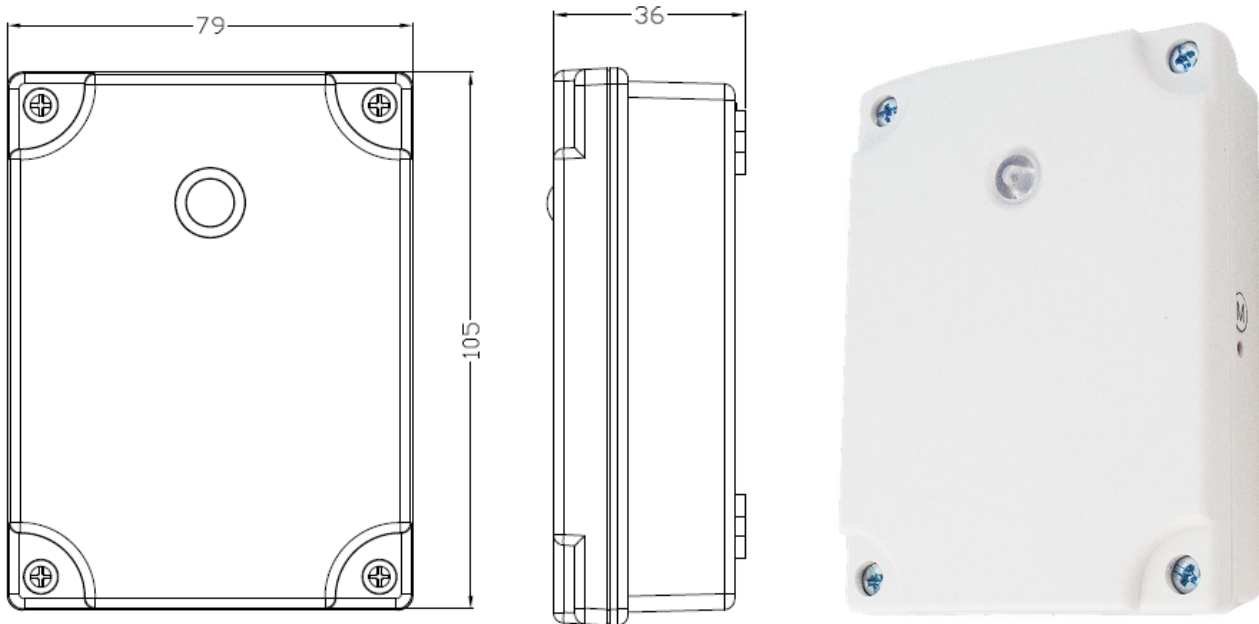


**IP55 Photocell Switch**



<b>MLA part code</b>	<b>OS006</b>
<b>Description</b>	Photocell Switch
<b>Finishes</b>	White
<b>Overall dimensions</b>	Height – 105 Width – 79 Projection - 36
<b>Weight (kg)</b>	0.16
<b>Input voltage (V)</b>	Mains 230V 50Hz
<b>Maximum lamp wattage (W)</b>	Incandescent – 1000W Fluorescent – 500W Inductive/LED – 200W
<b>Operating light levels</b>	3 – 1000 lux (memory button to store current light level)
<b>Operating time levels</b>	2, 4, 6, 8 Hours or Dusk to Dawn setting
<b>Insulation class</b>	Class I - must be earthed
<b>IP rating</b>	IP55
<b>Fixing method</b>	Surface
<b>Origin of manufacture</b>	China
<b>Construction</b>	Self-extinguishing polycarbonate
<b>Cable entry</b>	Rubber grommet
<b>Electrical connections</b>	Screw terminals
<b>Certificate of conformity (held on file)</b>	Yes
<b>Manufactured in accordance with</b>	BSEN 60669-2-1, EN 55015, EN 61547, EN 61000
<b>Warranty</b>	1 Year
<b>EAN</b>	5055559191247

